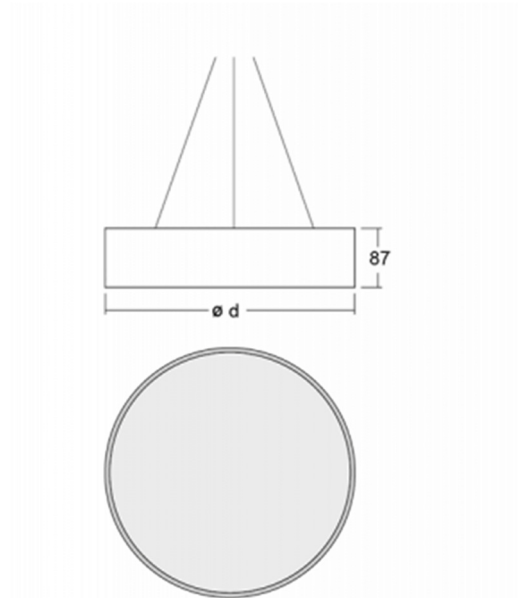




Round Direct (400mm Version)

The Round Direct is a suspended LED luminaire with direct light output and a 400mm diameter. Featuring a micro prismatic or opal optical system the luminaire offers up to 3560lm depending on the optics and colour temperature. The luminaire is constructed from aluminium.

Diameter:	Ø400mm.	
Lumens (17.1W):	1740lm (3000K, micro prism), 1820lm (4000K, micro prism). 1910lm (3000K, opal), 2000lm (4000K, opal).	
Lumens (30.1W):	3090lm (3000K, micro prism), 3250lm (4000K, micro prism). 3390lm (3000K, opal), 3560lm (4000K, opal).	
Wattage	17.1W, 30.1W.	
Efficacy (17.1W):	101lm/cW (830, micro prism), 106lm/cW (840, micro prism). 112lm/cW (830, opal), 117lm/cW (840, opal).	
Efficacy (30.1):	102lm/cW (830, micro prism), 107lm/cW (840, micro prism). 113lm/cW (830, opal), 118lm/cW (840, opal).	
Colour Temp:	3000K, 4000K.	
Body finish:	White, Black, Silver.	
Control Gear:	HF, DALI.	



To specify choose one entry from each column below, e.g. "RDR4 OP DD ED3 17.1 830 WH" (option columns may be omitted if not required)

Name	Option	Optic	Emergency Option	Wattage	Colour Temp	Trim
RDR4 (Round Direct 600mm)	HF	OP (opal)	E3	17.1	840	WH (White)
	DD (DALI)	MP (micro prismatic)	ED3 (DALI EM)	30.1	830	SL (Silver)
						BK (Black)